

Proven & reliable

TANA VS1220 Wind sifter

**Getting more out of an investment is interesting.
Not just the machine.**



TANA

Separate by density.

TANA VS1220 wind sifter separates light from heavy materials with a high grade of accuracy. It gives you more value by cleaning waste streams for further reuse or recycling.

USE:

Construction & industrial waste



Wood bark



Slag



Compost



SEPARATE:

Stone, plastic and wood

Stones from bark

Unburnt from slag

Plastic from compost

MAKE IT MEET YOUR NEEDS

Customize

- Conveyor belts for heavy and light material
- Roller with frequency inverter for high quality separation
- Reversible roller for recycling materials
- Spray bars for dust elimination
- Dust covering
- Possibilities to get a third fraction
- Magnet drive drum on discharge conveyor
- Heavy duty accelerator for loading of material larger than 500 mm

Adjust

- feeding conveyor angle and speed
- roller speed and direction
- conveyor speed
- blower speed and angle
- blower air stream sharpness

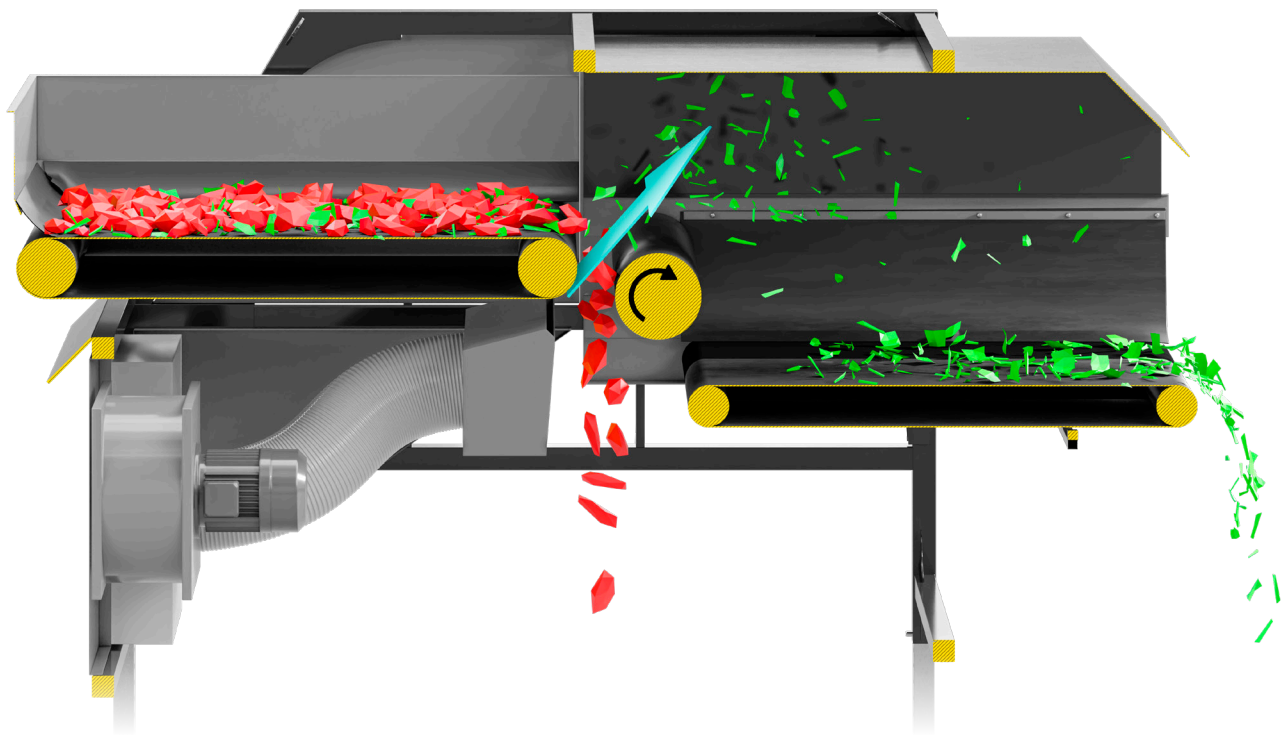
Choose high quality and capacity.

Ensure high quality separation

- Simple and light machine
- Separates light from heavy material
- Can be used together with a large variety of different screens
- Maximum capacity 150 m³/h
- Electric control system

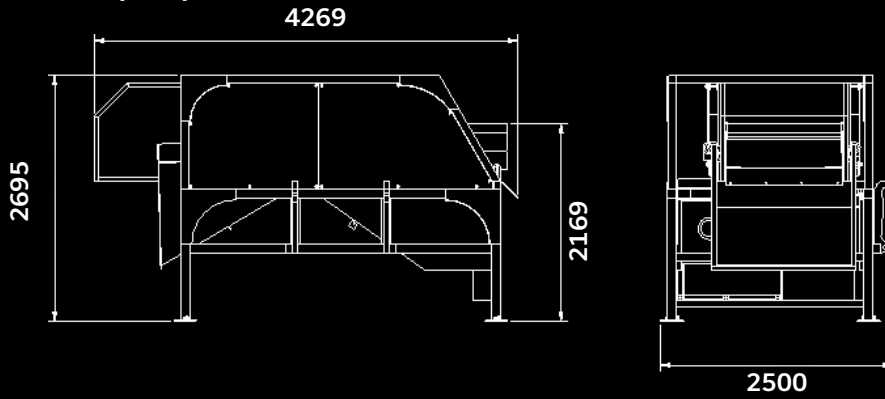
Keep it going

- Hardly any wearing parts
- Low operating costs
- Easy to maintain
- Minimized service interruptions

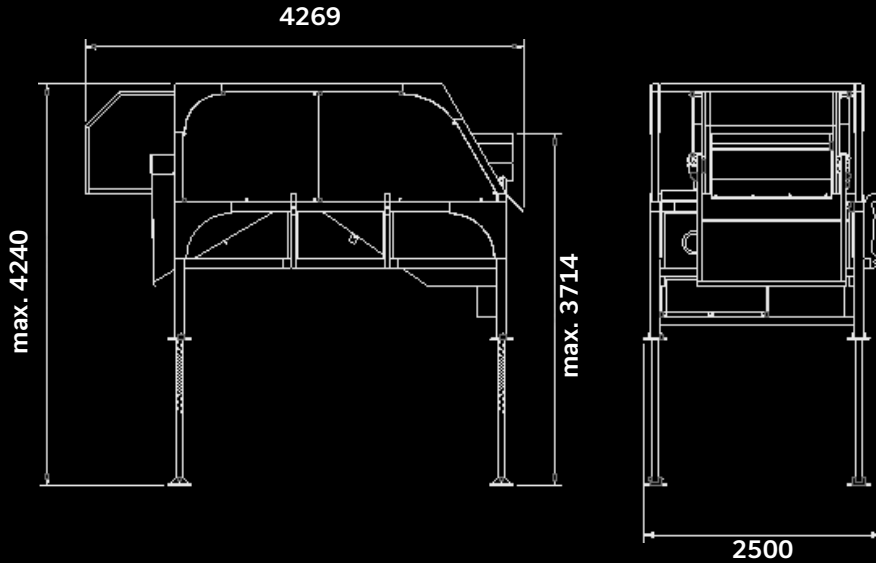


Proven concept:
Over 80 machines sold in Sweden alone

Transport position



Working position



GENERAL INFORMATION AND MAIN DIMENSIONS

Operating weight	2 500 kg
Total length in transportation	4 269 mm
Total length in operation	4 269 mm
Total width	2 500 mm
Total height in operation	4 240 mm
Total height in transportation	2 695 mm
Feeding height in operation	2 200 – 3 700 mm
Emergency stop device	2
Support legs	4
Connection to lift	Volvo BM-connection
Suggested generator	35 kVA Supply voltage 400 V / 32 A
Output	17,25 kW
Max. capacity	150 m ³ /h

* The capacity is affected by the material's moisture, fractions, size, density etc.

Weights and measurements are given within normal tolerances. Manufacturer reserves the right to alter the above as necessary.

TANA
From Waste to Value®

Tel. +358 20 7290 240
mail@tana.fi
www.tana.fi

Tana Oy
P.O. Box 160,
Schaumanin puistotie 1
FI-40101 Jyväskylä, FINLAND